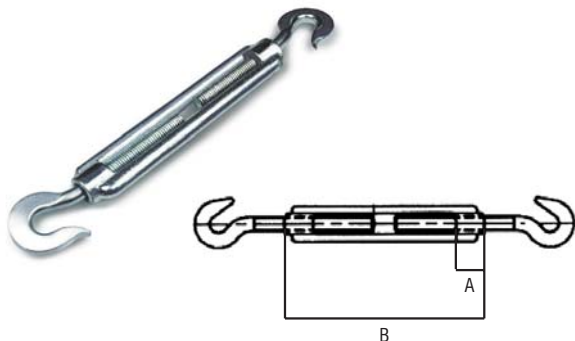




## ACCESORIOS DE CABLE

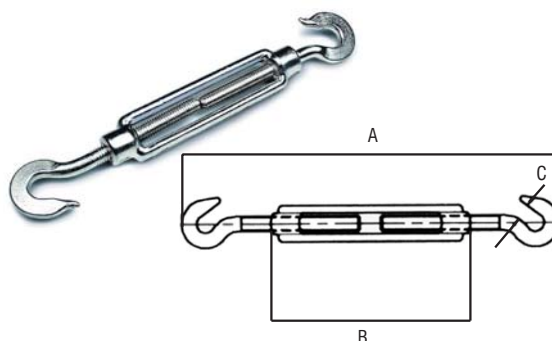
### TENSORES

#### TENSORES GANCHO/GANCHO DIN 1480



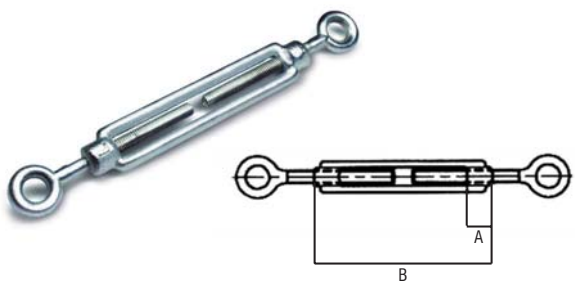
Ref.	Código	Medida	Medida equivalente	Carga trabajo S.W.L. (kg)	A	B
0700400	TGG 105	M5	3/16"	50	9,0	79
0700401	TGG 106	M6	1/4"	75	10,0	88
0700402	TGG 108	M8	5/16"	165	12,0	110
0700403	TGG 110	M10	3/8"	235	15,0	130
0700404	TGG 111	M11	7/16"	280	17,5	135
0700405	TGG 112	M12	1/2"	320	18,0	140
0700406	TGG 114	M14	9/16"	420	21,0	125
0700407	TGG 116	M16	5/8"	530	27,0	170
0700408	TGG 120	M20	3/4"	730	34,0	200
0700409	TGG 122	M22	7/8"	1.120	36,0	220
0700410	TGG 124	M24	1"	1.550	39,0	255
0700411	TGG 127	M27	1 1/16"	1.870	45,0	255
0700412	TGG 130	M30	1 1/4"	2.240	45,0	255
0700413	TGG 132	M32	1 5/16"	2.850	45,0	255
0700414	TGG 136	M36	1 1/2"	3.530	55,0	295

#### TENSORES GANCHO/GANCHO DIN 1480 INOX



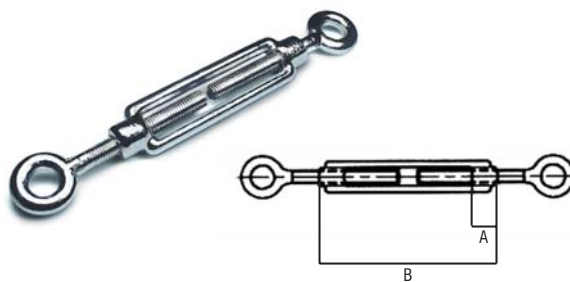
Ref.	Código	Medida	Medida equivalente	A	B
0700500	TGGI 105	5	3/16"	70	110/170
0700501	TGGI 106	6	1/4"	90	140/220
0700502	TGGI 108	8	5/16"	120	180/280
0700503	TGGI 110	10	3/8"	150	230/360
0700504	TGGI 112	12	1/2"	200	280/460

#### TENSORES ANILLA/ANILLA DIN 1480



Ref.	Código	Medida	Medida equivalente	Carga trabajo S.W.L. (kg)	A	B
0700600	TAA 5	M5	3/16"	50	9,0	79
0700601	TAA 6	M6	1/4"	75	10,0	88
0700602	TAA 8	M8	5/16"	165	12,0	110
0700603	TAA 10	M10	3/8"	235	15,0	130
0700604	TAA 11	M11	7/16"	280	17,5	135
0700605	TAA 12	M12	1/2"	320	18,0	140
0700606	TAA 14	M14	9/16"	420	21,0	125
0700607	TAA 16	M16	5/8"	530	27,0	170
0700608	TAA 20	M20	3/4"	730	34,0	200
0700609	TAA 22	M22	7/8"	1.120	36,0	220
0700610	TAA 24	M24	1"	1.550	39,0	255
0700611	TAA 27	M27	1 1/16"	1.870	45,0	255
0700612	TAA 30	M30	1 1/4"	2.240	45,0	255
0700613	TAA 33	M33	1 5/16"	2.850	45,0	255
0700614	TAA 36	M36	1 1/2"	3.530	55,0	295

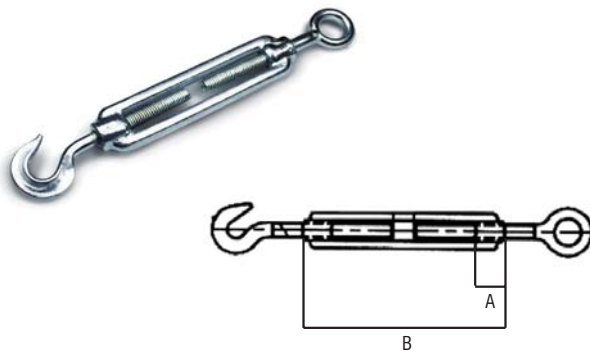
#### TENSORES ANILLA/ANILLA DIN 1480 INOX



Ref.	Código	Medida	Medida equivalente	A	B
0700700	TAAI 105	5	3/16"	70	110/170
0700701	TAAI 106	6	1/4"	90	140/220
0700702	TAAI 108	8	5/16"	120	180/280
0700703	TAAI 110	10	3/8"	150	230/360
0700704	TAAI 112	12	1/2"	200	280/460

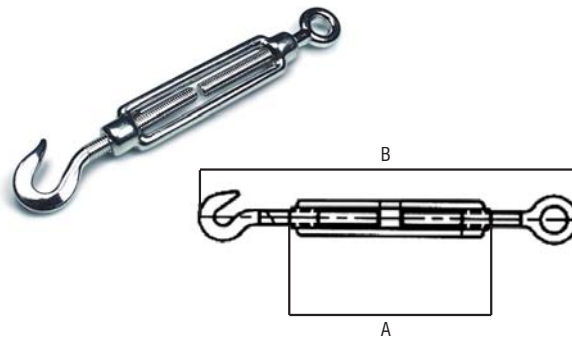


TENSORES GANCHO/ANILLA DIN 1480



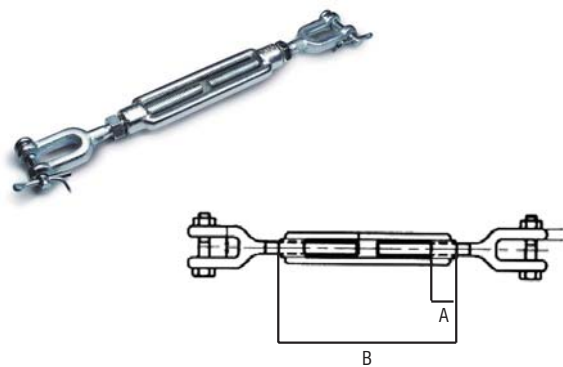
Ref.	Código	Medida	Medida equivalente	Carga trabajo S.W.L. (kg)	A	B
0700800	TGA 105	M5	3/16"	50	9	79
0700801	TGA 106	M6	1/4"	75	10	88
0700802	TGA 108	M8	5/16"	165	12	110
0700803	TGA 110	M10	3/8"	235	15	130
0700804	TGA 111	M11	7/16"	280	17	135
0700805	TGA 112	M12	1/2"	320	18	140
0700806	TGA 114	M14	9/16"	420	21	155
0700807	TGA 116	M16	5/8"	530	27	170
0700808	TGA 120	M20	3/4"	730	34	200
0700809	TGA 122	M22	7/8"	1.120	36	220
0700810	TGA 124	M24	1"	1.550	39	255
0700811	TGA 127	M27	1 1/16"	1.870	45	255
0700812	TGA 130	M30	1 1/4"	2.240	45	255
0700813	TGA 132	M32	1 5/16"	2.850	45	255
0700814	TGA 136	M36	1 1/2"	3.530	55	295

TENSORES GANCHO/ANILLA DIN 1480 INOX



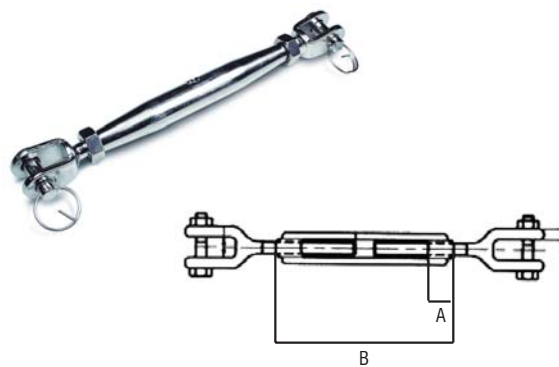
Ref.	Código	Medida	Medida equivalente	A	B
0700900	TGAI 105	5	3/16"	79	110/170
0700901	TGAI 106	6	1/4"	88	140/220
0700902	TGAI 108	8	5/16"	110	180/280
0700903	TGAI 110	10	3/8"	130	230/360
0700904	TGAI 112	12	1/2"	140	280/460
0700905	TGAI 116	16	5/8"	170	340/580

TENSORES HORQUILLA/HORQUILLA DIN 1480



Ref.	Código	Medida	Medida equivalente	Carga trabajo S.W.L. (kg)	A	B
0701000	THH 106	M6	3/16"	230	10	88
0701001	THH 108	M8	5/6"	440	14	110
0701002	THH 110	M10	3/8"	440	15	130
0701003	THH 112	M12	1/2"	600	18	140
0701004	THH 114	M14	9/16"	600	20	170
0701005	THH 116	M16	5/8"	800	22	190
0701006	THH 120	M20	3/4"	1.660	30	220
0701007	THH 122	M22	7/8"	2.600	33	242
0701008	THH 124	M24	1"	2.600	39	255
0701009	THH 127	M27	1 1/16"	2.600	43	300
0701010	THH 130	M30	1 1/4"	3.400	45	255
0701011	THH 132	M32	1 5/16"	4.000	48	300
0701012	THH 136	M36	1 1/2"	4.800	55	295

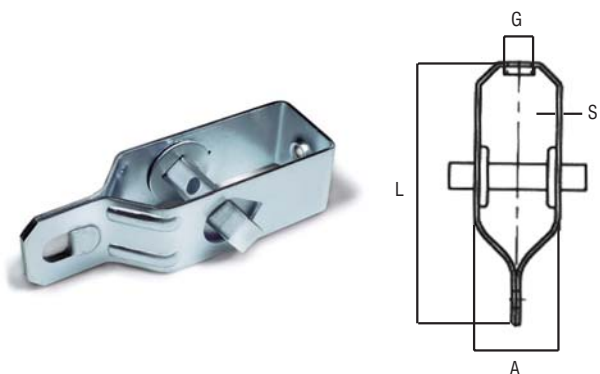
TENSORES HORQUILLA/HORQUILLA DIN 1480 INOX



Ref.	Código	Medida	Medida equivalente	A	B
0701100	THHI 105	5	3/16"	70	125/175
0701101	THHI 106	6	1/4"	90	135/200
0701102	THHI 108	8	5/16"	120	145/210
0701103	THHI 110	10	3/8"	130	180/250
0701104	THHI 112	12	1/2"	200	210/300
0701105	THHI 114	14	9/16"	230	250/360
0701106	THHI 116	16	5/8"	270	280/400
0701107	THHI 120	20	3/4"	300	310/400



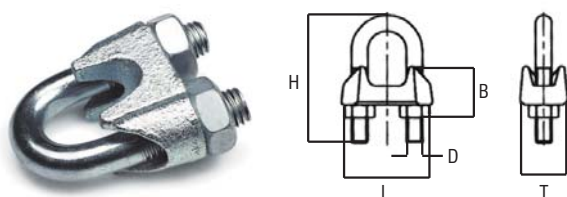
## TENSORES PARA ALAMBRE



Ref.	Código	Medida	A	B	L	G	S
0701200	TJR 080 S	80 x 26	26	6	80	5,5	2
0701201	TJR 092 S	92 x 26	26	6	92	5,5	2
0701202	TJR 104 S	104 x 26	26	6	10	5,5	2

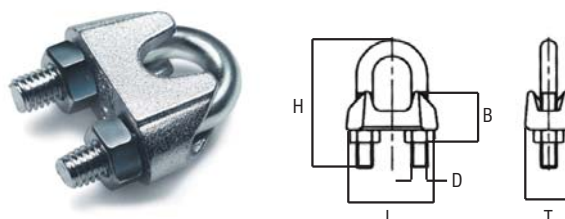
## SUJETACABLES

### SUJETACABLES DIN 741



Ref.	Código	Medida	Diámetro cable (mm)	D	H	L	B	T
0701300	SCG 103	3	2-3	M4	20	21	12	10
0701301	SCG 105	5	4-5	M5	24	24	13	11
0701302	SCG 106	6	6.5	M5	28	26	15	12
0701303	SCG 108	8	8	M6	34	30	19	14
0701304	SCG 110	10	10	M8	42	27	22	20
0701305	SCG 111	11	11	M8	44	38	22	20
0701306	SCG 113	13	13	M10	55	44	30	25
0701307	SCG 114	14	14	M10	55	46	30	27
0701308	SCG 116	16	16	M10	63	53	32	31
0701309	SCG 119	19	18	M12	78	59	38	33
0701310	SCG 122	22	22	M12	81	64	45	34
0701311	SCG 126	26	26	M12	96	75	50	42
0701312	SCG 130	30	30	M14	112	86	58	44
0701313	SCG 134	34	34	M16	120	93	61	48
0701314	SCG 140	40	36-38	M16	130	95	63	51
0701315	SCG 145	45	45	M16	158	115	83	58
0701316	SCG 150	50	50	M16	158	115	83	59

### SUJETACABLES DIN 741 INOX



Ref.	Código	Medida	Diámetro cable (mm)	D	H	L	T
0701400	SCI 104	4	3-4	M4	22	22	13
0701401	SCI 105	5	5	M5	24	23	15
0701402	SCI 106	6	6	M6	33	30	18
0701403	SCI 108	8	8	M6	35	33	20
0701404	SCI 110	10	10	M8	43	37	22
0701405	SCI 111	11	12	M10	54	45	25
0701406	SCI 114	14	14	M10	54	46	27
0701407	SCI 116	16	16	M10	65	53	30
0701408	SCI 119	19	18	M12	75	58	33
0701409	SCI 122	22	22	M12	80	64	34
0701410	SCI 126	26	25	M12	88	69	39
0701411	SCI 130	30	28	M14	108	80	42
0701412	SCI 134	34	32	M16	115	92	46